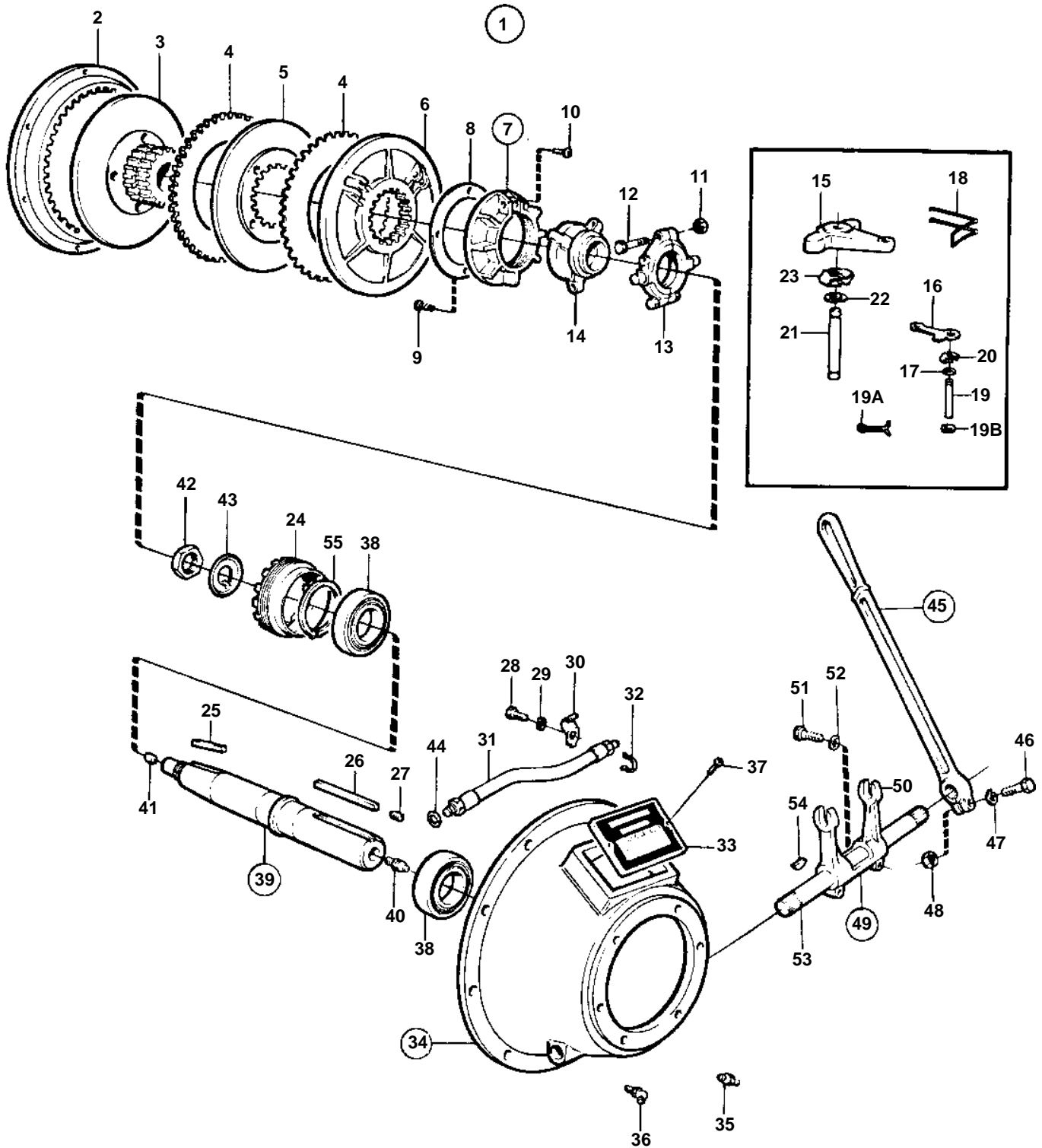


COMMON



COMMON

REF	PART NO.	QTY	DESCRIPTION	NOTES
1	862736	1	Clutch	11 1/2"- AP211 TWIN PTO SER.62597.
2	862787	1	• Drive ring	
3	863659	1	• Pressure plate	
4	862786	2	• Disc	
5	862788	1	• Spacer	
6	6603881	1	• Plate	
7	846504	1	• Adjusting ring	
8	846505	1	• • Adjusting plate	
9	846507	4	• • Screw	
10	846506	1	• • Lock screw	
11		2	• NUT	
12		2	• SCREW	
13	846503	1	• Throw-out bearing	
14	6603843	1	• Sleeve	
15	6603832	3	• Lever	
16	6603849	6	• Fork	
17	6607836	12	• Spring ring	
18	6603882	3	• Spring	
19	865053	6	• Pin	(6607834)
20	6607835	12	• Ring	
21	846500	3	• Pin	
22	846502	6	• Washer	
23	846501	6	• Striker plate	
24	862782	1	• Bearing carrier	
25	862781	1	• Key	
26	862784	1	• Key	
27	846495	1	• Lock screw	
28	846492	1	• Screw	
29	6603869	1	• Lock washer	
30	846487	1	• Striker plate	
31	846488	1	• Lubricating hose	
32	846493	1	• Lock ring	
33	846490	1	• Cover	
34		1	• HOUSING	
35	846496	1	• Lubricating nipple	
36	846497	2	• Lubricating nipple	
37	846491	2	• Screw	
38	862783	2	• Bearing	
39	862785	1	• Shaft	
40		1	• GREASE NIPPLE	
41		1	• SCREW	
42	6603877	1	• Nut	
43	6603878	1	• Lock washer	
44	846557	1	• Lock washer	
45	846508	1	• Lever	
46	846509	1	• • Screw	
47	6603859	1	• • Washer	
48	846510	1	• • Nut	
49	6603856	1	• Fork	
50	6603857	1	• • Fork	
51	6603858	2	• • Bolt	
52	6603859	2	• • Washer	
53	6603896	1	• Shaft	
54	6603893	2	• Key	
55		1	• CIRCLIP	